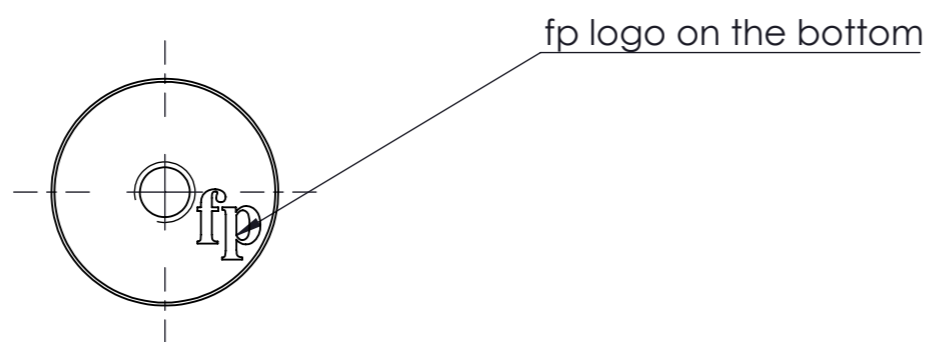
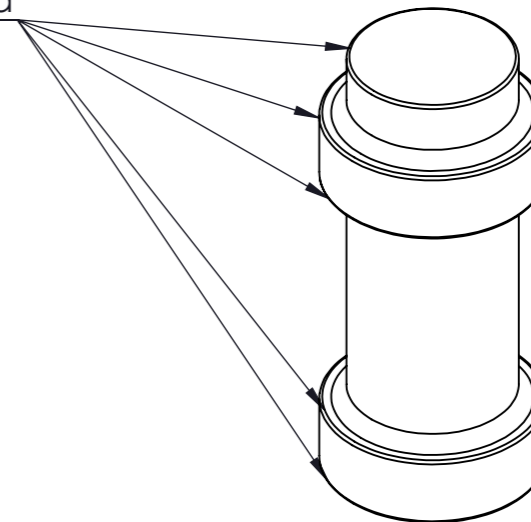


All corneres must be rounded



Rev.:	Date:	Name:	Description:
A	01-10-2019	MCH	Name added
B			
C			
D			

Part name: PILLAR	Projection: 	Sheet format: A3	Tolerance unless otherwise specified DS/ISO 2768-1M																	
Designer: Steffensen og Wurzt	Drawn by: MCH 22-08-2019	Scale: 2:1	<table border="1"> <tr> <td>Linear dimensions:</td> <td>0-3</td> <td>3-6</td> <td>6-30</td> <td>30-120</td> <td>120-400</td> <td>400-1000</td> <td>1000-</td> </tr> <tr> <td></td> <td>±0,1</td> <td>±0,1</td> <td>±0,2</td> <td>±0,3</td> <td>±0,5</td> <td>±0,8</td> <td>±1,2</td> </tr> </table>		Linear dimensions:	0-3	3-6	6-30	30-120	120-400	400-1000	1000-		±0,1	±0,1	±0,2	±0,3	±0,5	±0,8	±1,2
Linear dimensions:	0-3	3-6	6-30	30-120	120-400	400-1000	1000-													
	±0,1	±0,1	±0,2	±0,3	±0,5	±0,8	±1,2													
Part no.: 547720015	Sheet 1 of 1	<table border="1"> <tr> <td>Angle</td> <td>Radius</td> </tr> <tr> <td>±0,5°</td> <td>±5%</td> </tr> </table>			Angle	Radius	±0,5°	±5%												
Angle	Radius																			
±0,5°	±5%																			
Material: Zinc	Weight:	furnipart® Delta 2 Phone: +45 87 64 35 00 DK-8382 Hinnerup E-mail: fp@furnipart.com																		
COPYRIGHT: THIS DRAWING MAY NOT BE COPIED OR REPRODUCED IN ANY WAY WITHOUT DIRECT PERMISSION FROM FURNIPART A/S																				